

Minimum recommended operating area width, depth, and height	36" [914.4] X 36" [914.4] X 30" [762]
Machine weight	132lbs/60 kg
Power required	120/240 VAC

D

D

C

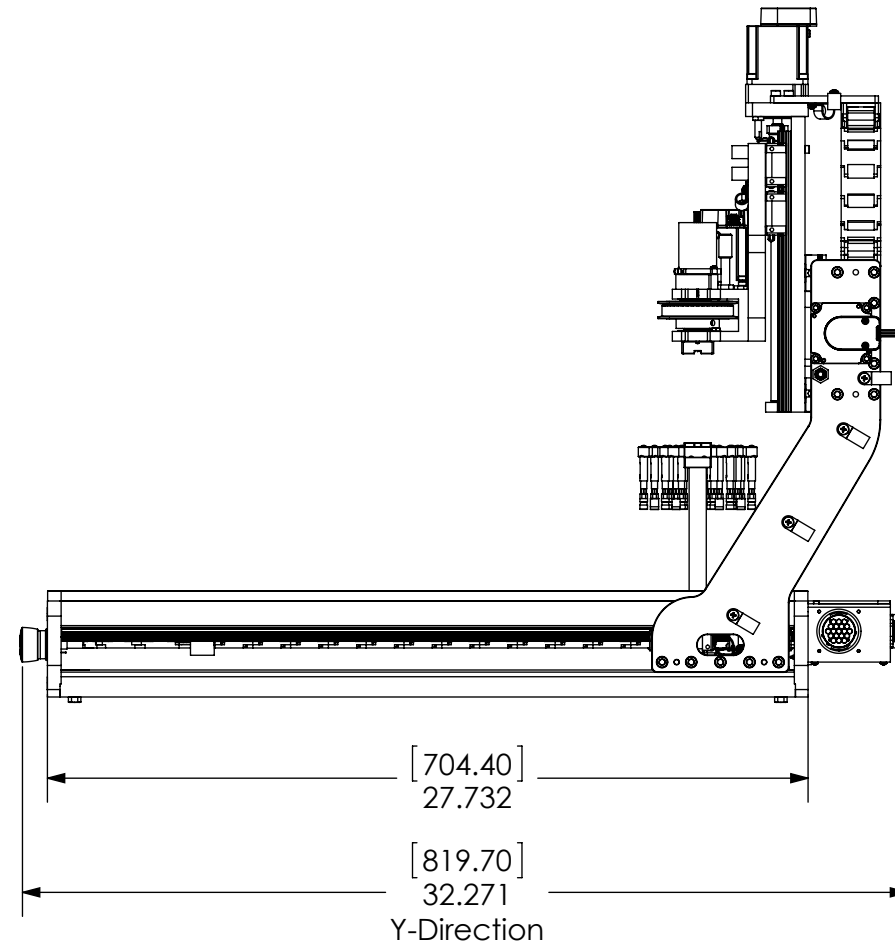
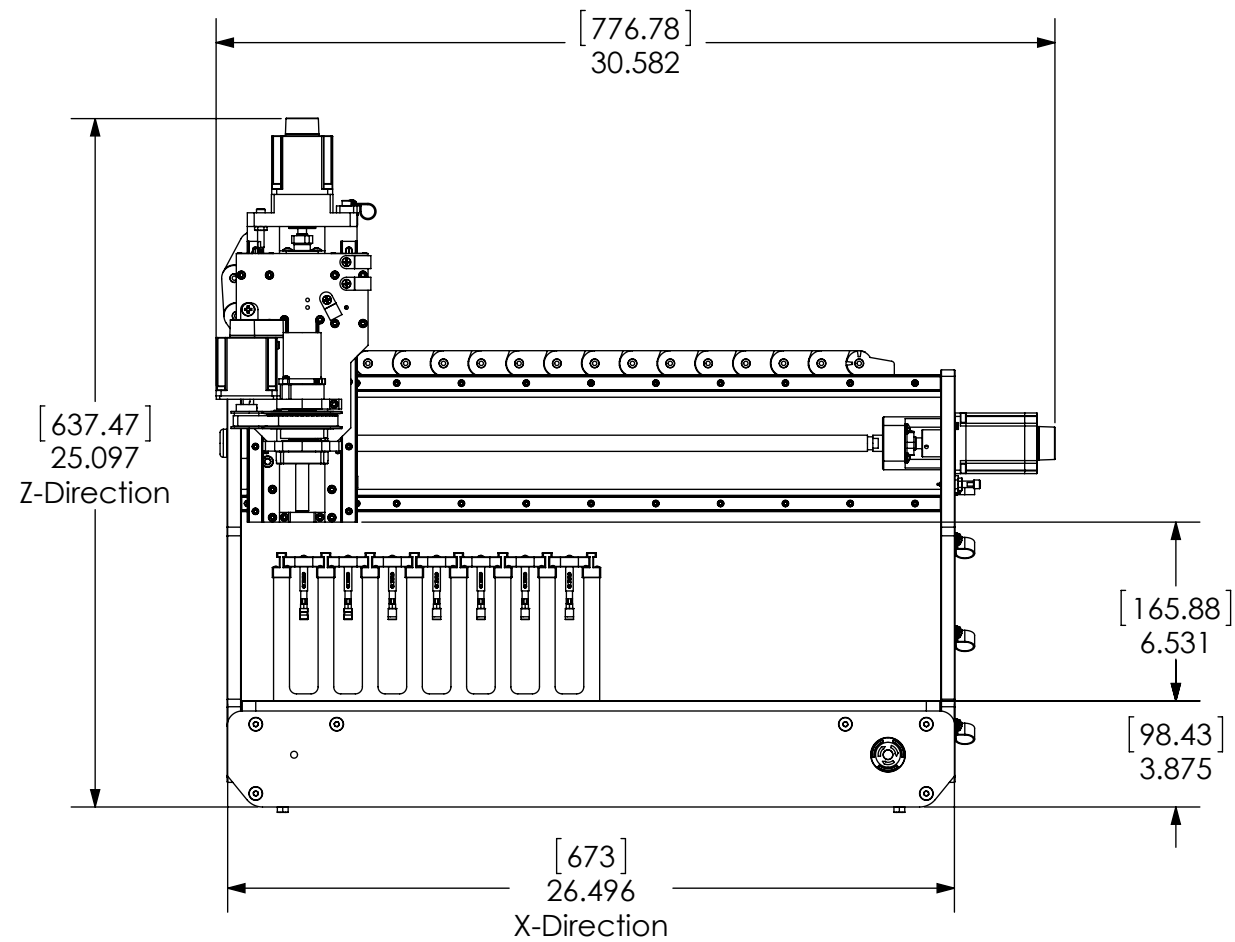
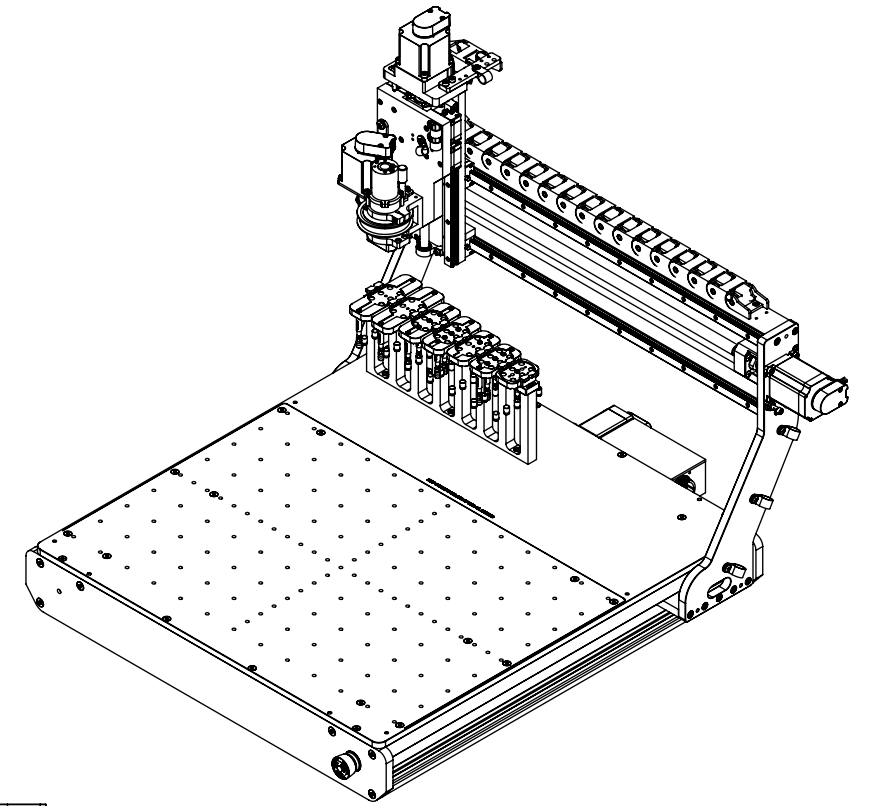
C

B

B

A

A



TACTILE AUTOMATION, INC.
Monroe, WA USA

Machine Name:
TakTouch 1000

Part Number:
TA30001-XX-XXX

SPECIFICATIONS SUBJECT TO CHANGE WITHOUT NOTICE. NOT RESPONSIBLE FOR TYPOGRAPHICAL ERRORS. MACHINE SHOWN WITH ADDITIONAL EQUIPMENT. ACTUAL PRODUCT APPEARANCE MAY DIFFER. HEAVY DUTY OPERATING TABLE HIGHLY RECOMMENDED. CONTACT TACTILE AUTOMATION INC. FOR ADDITIONAL INFORMATION.

THIS DOCUMENT AND THE INFORMATION CONTAINED HEREIN ARE PROPRIETARY TO TACTILE AUTOMATION, INC. AND SHALL NOT BE USED BY OR DISCLOSED IN WHOLE OR IN PART TO ANYONE OUTSIDE OF TACTILE AUTOMATION, INC. WITHOUT THE PRIOR WRITTEN PERMISSION OF TACTILE AUTOMATION, INC.

8

7

6

5

4

3

2

1